

UVSS

United Vision Security Solutions
Long Range IR Night-Vision Camera Systems

FST. 2000



UVSS

FST. 2000

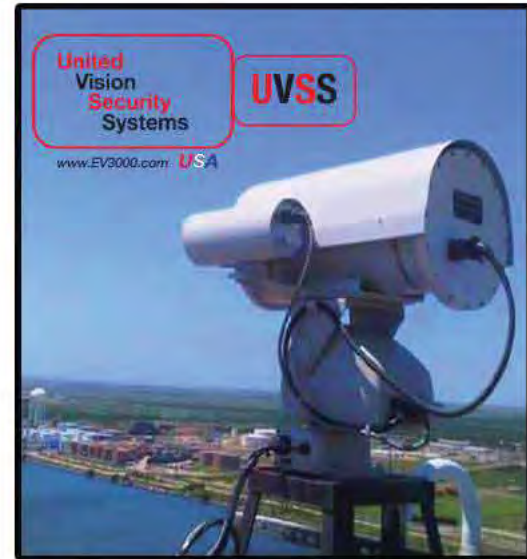
EV3000

Off-Shore/Harbor/Border/Marine/Navy
Long Range Camera System



IR Thermal / Color Cameras

- All Weather Rugged Housing resists high humidity, salt water, and rust
- Special cooling system to reduce heat by 15° C
- 128 preset positions for perimeter scanning
- Pelco-D protocols that can be integrated with any other pre-existing CCTV system or Radar.
- Enviromentally sealed
- Image overlay combines thermal and video image
- The EV3000 CCD or EMCCD color night vision camera provides high resolution full color images from full sunlight down to quarter moonlight, and thereafter monochrome images down to starlight.



IR Thermal Imager

- 640x480 or 320x240 Detector
- Un-cooled 7-14 Micron
- Auto-Focus
- 100mm Lenses
- Digital Detail Enhancement (DDE)

Day/Night Camera

- 1/2" (1.27 cm) High-Resolution CCD or EMCCD
- 0.03 lx / 0.000008 lx (Sensup on)
- Lens 12-660/30-1680mm - 55x Optical Zoom
- Reproduces full color, full motion images in fog and low light

Sensor Platform

- Heavy Duty, Stabilized Pan/Tilt
- Rugged housing for marine applications
- This product can be used in any marine applications and harsh enviroments
- Includes Anti-Rust and Anti-Corrosion with full sealed housing and Pan-Tilt
- Great for shores, sea ports or ships

Pan/Tilt Resolution

- High performance, brushless, maintenance-free step motors provide very precise and extremely effective motion control with presets and full 360° endless rotation

Options

- Digital Real-Time Video Stabilization
- TCP/IP Interface
- Washer and Wiper



Model Specifications

EV3000-D-IR100

Thermal Resolution

320 x 240

IR Focal Lenses

100mm

Day Lenses

10-330mm

Detection Range

1-4 km (~0.6-2.5 mi)

Day/Low Light ✓

Dark/Fog/Smoke ✓

Man: 1.8 m x 0.5 m



Detection approx. 1.6 km



Recognition approx. 400 m



Identification approx. 200 m

Object: 2.3 m x 2.3 m



Detection approx. 4.4 km



Recognition approx. 1.1 km



Identification approx. 580 m

Model Specifications

EV3000-D-IR100 H

Thermal Resolution

640 x 480

IR Focal Lenses

100mm

Day Lenses

10-330mm

Detection Range

3-6 km (~1.9-3.7 mi)

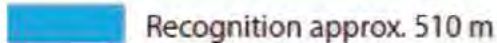
Day/Low Light ✓

Dark/Fog/Smoke ✓

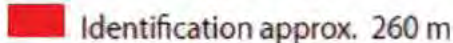
Man: 1.8 m x 0.5 m



Detection approx. 1950 m



Recognition approx. 510 m



Identification approx. 260 m

Object: 2.3 m x 2.3 m



Detection approx. 5000 m



Recognition approx. 1400 m



Identification approx. 720 m

UVSS

EST. 2000

EV3000 Model D-IR-100, D-IR-100H

Eagle Vision Dual Sensors

FEATURES		EV3000-D-IR-100	EV3000-D-IR-100H
Thermal Imaging	Detector type	Focal Plane Array/ uncooled microbolometer	Focal Plane Array/ uncooled microbolometer
	Pixel Count (Resolution)	324 X 256	644 X 512
	Spectral Response	7.5 to 13 μ m	
	Image processing	Automatic Gain Control (AGC), Digital Detail Enhancement (DDE)	
	FOV (H X V) Digital Zoom Focal Length (mm)	7° (H) x 5° (V) 2X, 4X (100H model) 100 mm	
Video	Sensor	1/2 inch CCD High sensitivity color / monochrome camera or 1/2 inch EMCCD	
	Field of View	40.84° to 0.69° (12-660mm) 15.12° to 0.27° (30-1580mm)	
	Zoom	Optical: 55X 12-660mm/30-1680mm with 2.5 extender	
	Illumination	0.000008 lx with setup	
Pan & Tilt	Azimuth Control	360° continuous	
	Elevation Control	-90° +45°	
	Pan & Tilt Slew Rate	0 seconds to 60 seconds	
	Pointing Accuracy	Pan \pm 0.1° / Tilt \pm 0.1°	
Power	Power Source	10 - 28 VDC through supplied 110 /220 VAC power supply	
Environmental Characteristics	Operating Temperature	-40° C to 60° C	
	Environmental Sealing	Fully ruggedized IP66	

Thermal / Color Cameras

- **All Stainless Steel, Rugged Housing**
 - Anti-Corrosion, Anti Rust, High humidity and salt water resistant.
- **Special cooling system to reduce heat by 15° C**
- **128 preset positions for perimeter scanning with a tour function**
- **Pelco-D protocols that can be integrated with any other pre-existing CCTV system.**
- **Environmentally sealed**
- **Image overlay combines thermal and video image**
- **The EV3000 CCD or EMCCD color night vision camera provides high resolution full color images from full sunlight down to quarter moonlight, and thereafter monochrome images down to starlight.**



Thermal Imager

- 640 x 480
- Un-cooled 7-14 Micron
- DFOV, Zoom, Digital Zoom,
- 50/250mm Lens

Day/Night Camera

- 1/2" (1.27 cm) High-Resolution EMCCD
- Min. Illumination < 200µlux
- Lens 16.7mm-1000/33
 - 2000mm Optical Zoom
- Reproduces full color, full motion images in fog and low light, and starlight conditions

CCTV with TCP/IP

- Full control of Thermal, Day-Night, Pan/Tilt using Standard Protocol Pelco-D

Sensor Platform

- Heavy Duty, Stabilized Pan/Tilt
- Stainless Steel Enclosure
- This product can be used in any marine applications and harsh environments
- Includes Anti-Rust and Anti-Corrosion with full sealed housing and Pan-Tilt
- Great for shores, sea ports or ships

Pan/Tilt Resolution

- High performance, brushless, maintenance-free step motors provide very precise and extremely effective motion control with presets and full 360° endless rotation

Options

- Digital Real-Time Video Stabilization
- Washer and Wiper
 - 5 or 10 ITR

Model Specifications

EV3000-D-IR250

Thermal Resolution

640 x 480

IR Focal Lenses

50/250mm

Day Lenses

10-550mm

Detection Range

3-6 km (~1.9-3.7 mi)

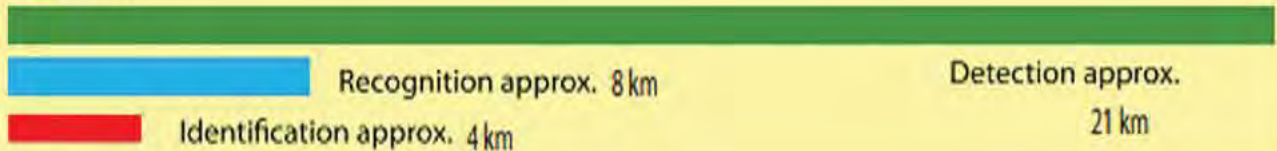
Day/Low Light ✓

Dark/Fog/Smoke ✓

Man: 1.8 m x 0.5 m



Object: 2.3 m x 2.3 m



UVSS

EST. 2000

EV3000 Model D-IR-100, D-IR-250

Eagle Vision Dual Sensor

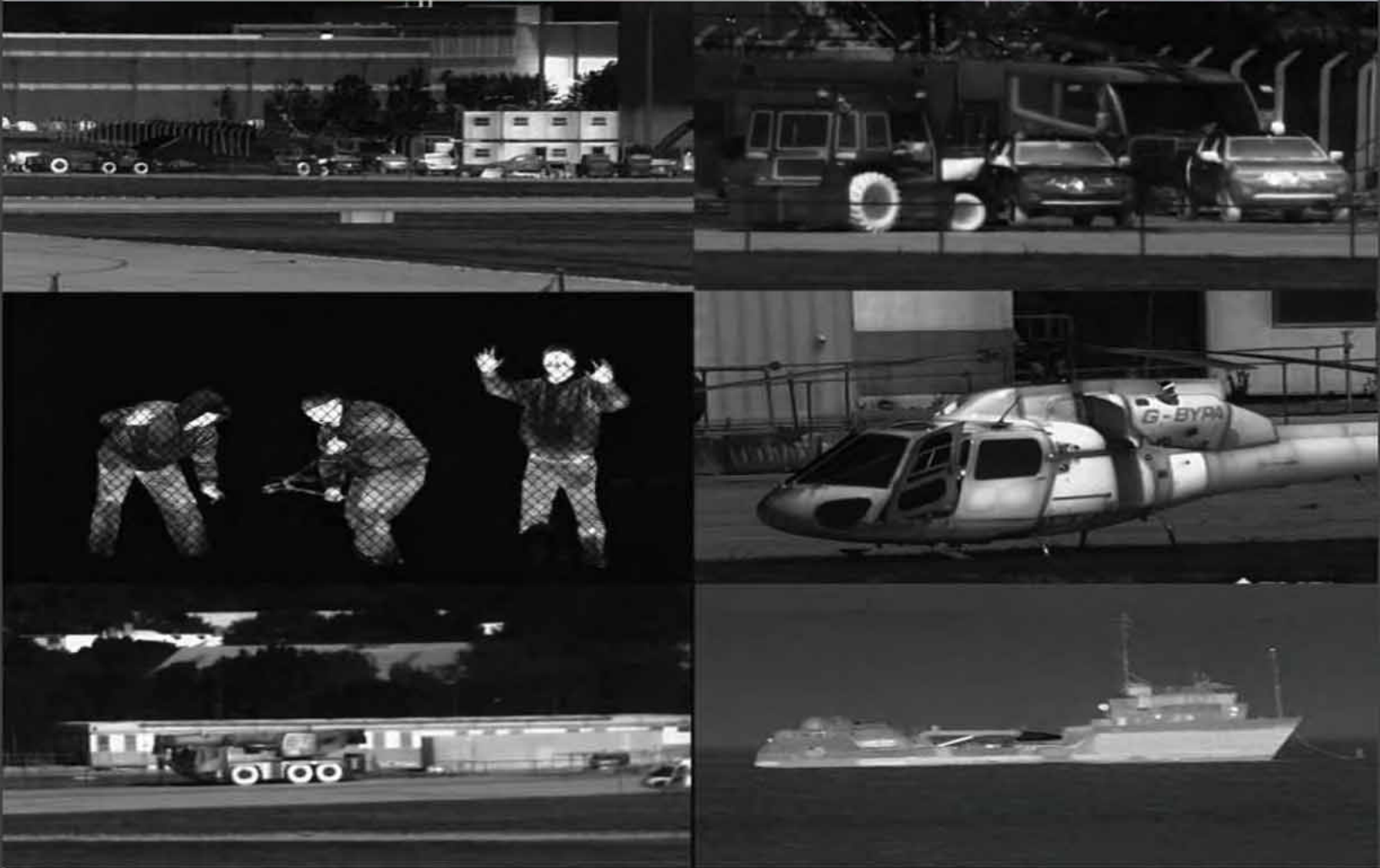
FEATURES		EV3000-D-IR-100	EV3000-D-IR-250
Thermal Imaging	Detector type	Focal Plane Array/ uncooled microbolometer	Indium Antimonide (InSb); 640x480 detector , 15µm micron pitch,
	Pixel Count (Resolution)	320 X 240, 25µm micron pitch	high-resolution has 4-times the picture clarity of cameras that use medium format 320x240
	Spectral Response	7.5 to 13 µm	3 - 5 µm
	Image processing	Automatic Gain Control (AGC), Digital Detail Enhancement (DDE)	Digital Detail Enhancement (DDE) On/Standby/Off, Auto & manual Level, manual Gain, Polarity, reticle on/off/select, Non-Uniformity Correction, Change FOV, Focus
	FOV (H X V)	7° (H) x 5° (V)	11.0° x 8.2° (WFOV) to 2.2° x 1.6° (NFOV)
	Digital Zoom	2X	2X, 4X
	Focal Length (mm)	100 mm	50x250mm
Video	Sensor	1/2 inch EM-CCD with electron multiplication High sensitivity color / monochrome camera	
	Field of View (D x H x V)	20° 53' x 15° 55' (WIDE) 0° 11' x 0° .08' (TELE)	
	Zoom	Optical: 60X 16.7-1000mm/33-2000mm 60X optical zoom	
	Illumination	Minimum illumination < 200µlux	
Pan & Tilt	Azimuth Control	360° continuous	
	Elevation Control	± 90 °	
	Pan & Tilt Slew Rate	0 seconds to 60 seconds	
	Pointing Accuracy	Pan ± 0.1° / Tilt ± 0.1°	
Power	Power Source	10 - 28 VDC through supplied 110 /220 VAC power supply	
Environmental Characteristics	Operating Temperature	-40° C to 60° C	
	Environmental Sealing	Fully ruggedized/Mil-STD-810E, NEMA 4 and IP68	

UVSS

EV3000 Series Demo

EST. 2000

Eagle Vision Dual Sensors



UVSS

EST. 2000

EV3000

Off-Shore/Harbor/Border/Marine/Navy
Long Range Camera System



United Vision Security Systems

A world without darkness...



Long Range Camera System

Our camera system designed for long range surveillance 24/7 utilized the most advance optical sensors and lenses

Day time, Night, Dark, Fog, Rain, and Smoke

Reduction of Airborne
Interference, e. g. Fog,
Rain, Sand, Smoke, Snow

Reduction of Heat Haze
Image Stabilizer

Thermal Eye with 640x480 resolution utilized Digital Detail Enhancement

Day Camera with EMCCD that provides full-color, full-frame video images even at night.

Extreme Lens with Ultra-Telephoto recognizes 16' objects a mile away.

from 50X

Amazing long focal length of **to 100X** that captures distant objects.

Heavy Duty Stainless Steel Enclosure, Forget rust and salt air corrosion.

Anti- Rust.

Anti- Salt Air.

Anti- Corrosion.

EV3000 using modern technology to reduce the temperature by 20C

Stabilized Pan/Tilt with Video Stabilization



Eagle Vision EV3000
Dual Camera System

Thermal and
Color EMCCD

PAN/TILT THERMAL & COLOR CAMERAS

- All Weather Stainless Steel Rugged Housing
Anti-corrosion, Anti Rust, resist high humidity and salt water.
Special Reflective paint to reduce heat by 15 degree.
- 128 preset positions for perimeter scanning, Tour function
- Pelco-D protocols , can be integrated with any other CCTV system
- Environmentally sealed and dry nitrogen filled
- Image overlay combines thermal and video image
- The EV3000 EMCCD colour night vision camera provides high resolution full colour images from full Sunlight down to quarter Moonlight, and thereafter monochrome images down to Starlight.



Thermal Imager

- Cooled 3-5 micron InSb detector
- 640x480 Insb
750mm Lens

Pan/Tilt resolution

High performance, brushless, maintenance-free step motors provide very precise, extremely effective motion control with preset and 0-360 degree endless rotation

CCTV software with TCP/IP

- Full control of Thermal / Day-Night / Pan/Tilt
Using standard Protocol Pelco-D

Day/Night Camera

- 1/2" High-Resolution EMCCD
- 0.0009 lx (color) / 0.000008 lx (B&W)
- Lens 10-500mm 50X optical zoom
12.5-750mm 60X optical zoom
10-1000mm 100x optical zoom
- Reproduces full colour, full motion images in starlight conditions

Sensor Platform

- Heavy Duty, Stabilized Pan/Tilt
- Stainless Steel Enclosure,

This product can be used in any marine applications, harsh environment. Anti-rust full sealed housing/ and Pan-Tilt. Great for shore, sea ports or ship due to its material Stainless Steel 316 against corrosion.

Options

- * Digital real time video stabilization
- * Washer 5 or 10 ltr





Long Range Surveillance System

Vision Surveillance Camera System that Never Sleeps

EV3000 EMCCD

With its built-in night vision Electron Multiplying CCD the Eagle Vision has a light sensitivity that is more than 100 times better than average. The fact that this camera has been selected as the solution for the unmanned surveillance needs of military front lines proves its capability.

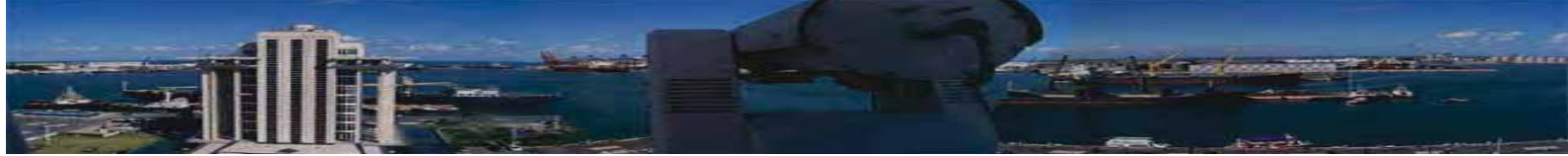
100 Times More Sensitive Than A Normal Camera

A new 1/2 inch EM-CCD with electron multiplication is used to achieve exceptional sensitivity.

Color in full motion mode: 0.009 lx
Color accumulation mode: 0.00015 lx

Monochrome in full motion mode: 0.0005 lx
Monochrome accumulation mode: 0.000008 lx





Main Specifications

Imaging device	1/2-inch interline EM-CCD
Total pixels	680(H) x 500(V)
Effective pixels	658(H) x 489(V)
Imaging area	6.58(H) x 4.89(V) mm
Pixel pitch	10.0(H) x 10.0(V) μm (Square pixel)
Scanning system	2:1 Interlace
Scanning frequency	Horizontal 15.734 kHz Vertical 59.94 Hz
Synchronization	Internal
Video output	
VBS output	Video 0.7 Vp-p Plus terminal nature
Sync	0.3 Vp-p Negative polarity
Burst	0.3 Vp-p, More than 8 cycles
Impedance	75 Ω Un-balancing.
Signal-processing system	Digital processing (Input 10 bit)
Signal to noise ratio (S/N)	50 dB or more (luminosity signal, Gamma OFF, minimum gain, without detail boost)
Resolution	Horizontal: 480 lines Vertical: 350 lines (In the central part)
Minimum photographic subject illumination	0.009 lx (Color in full motion, maximum sensitivity setup, F1.4, 50 IRE) 0.0005 lx (Monochrome in full motion, maximum sensitivity setup, F1.4, 50 IRE) 0.00015 lx (Color 64 time accumulation, maximum sensitivity setup, F1.4, 50 IRE) 0.000008 lx (Monochrome 64 time accumulation, maximum sensitivity setup, F1.4, 50 IRE)
Sensitivity (Gain) setup	Auto or a manual (factory set-AUTO)
Electronic shutter	Shutter: 7 steps /AES (factory set-OFF) OFF(1/60), 1/100, 1/125, 1/250, 1/500, 1/1000, 1/2000 sec
Accumulation magnification setup	Auto or a fixed change is possible. (factory set-OFF) 2, 4, 6, 8, 10, 16, 32, 64 times
Backlight compensation	An ON/OFF change is possible (factory set-OFF) Light-measurement area: Nine area to selection is possible.
The output for auto iris lenses	(Square shape 4 pin, JEITA conformity) A galvanometer system/video signal
White balance control	From the following three modes to selection (factory set-ATW) ATW: The mode which follows automatically automatic setup MANUAL: They are red and the mode which carries out blue gain adjustment and unites a white with manual operation
Camera title character display	A display is possible to 22 characters in an alphanumeric character and a sign possible in the position of a character.
B/W Mode	OFF: The mode of fixation on a color image On: In high sensitivity monochrome image mode AUTO: With luminous intensity OFF of high sensitivity monochrome image, the mode where ON changes automatically In addition, it changes, as for luminous intensity from 3 stages of the HI, the MID and the LOW selective possibility
Picture quality adjustment menu	Following to the menu indication of the picture, various picture quality adjustments and mode selection are possible
DNR	Change of AUTO / MANU (8 steps) (factory set-AUTO)

Video encoder	
Video compression	MPEG-4 Part 2 (ISO/IEC 14496-2) Motion JPEG
Resolutions	160x120 to 704x576
Frame rate MPEG-4	Up to 30/25 (NTSC/PAL) fps at 2CIF, 21/17 fps at 4CIF
Frame rate Motion JPEG	Up to 30/25 (NTSC/PAL) fps at 4CIF
Video streaming	Simultaneous MPEG-4 and Motion JPEG Controllable frame rate and bandwidth VBR/CBR MPEG-4
Image settings	Compression, color, rotation, aspect ratio correction, mirroring Text and image overlay Privacy mask De-interlace filter
Pan/Tilt/Zoom	Wide range of analog PTZ cameras supported (drivers available for download at www.axis.com) 20 presets/camera Guard tour PTZ control queue Supports Windows compatible joysticks
Network	
Security	Password protection, IP address filtering, HTTPS encryption, IEEE 802.1X network access control, digest authentication, user access log
Supported protocols	IPv4/v6, HTTP, HTTPS, QoS layer 3 DiffServ, FTP, SMTP, Bonjour, UPnP, SNMPv1/v2c/v3(MIB-II), DNS, DynDNS, NTP, RTSP, RTP, TCP, UDP, IGMP, RTCP, ICMP, DHCP, ARP, SOCKS

Pan / Tilt		
Pan	angle	0-360 (Endless)
	speed	0.1° ~ 60°/sec
Tilt	angle	-60° ~ +30°
	speed	0.1° ~ 30°/sec
Electric Power	240W	
Input Power	AC100~240V Free Voltage	
Temperature	-25 ~ +60 °C	

IR Day-Night Motorized Zoom Lenses

Optical: 50X 10-500/10-1000mm

Lenses:

Field of View

23° 42' 17° 74' (WIDE)
0° 74° 0° 55' (TELE)

Optical: 60X 12.5-750mm-25-1500mm

28°43' 21°44' (WIDE)
14°35' 10°58' (WIDE 2X)
0°29' 0°22' (TELE)
0°15' 0°11' (TELE 2X)

Optical: 100X 10-1000mm/20-2000mm

43° 6' 35° 5' (WIDE)
22° 6' 18° 2' (WIDE 2X)
0° 46' 0° 37' (TELE)
0° 23' 0° 18' (TELE 2X)



JUN 30 2:01 D
9:44:04PM

CCD V1ISIBLE



JUN 30 201 Ott,-...
9:44:05-PJ-1.;

EMCCD



VISIBLE



EMCCD

Eagle Vision EV3000
Camera System
Color EMCCD



9 pm

◆◆ MAIN MENU ◆◆

CAMERA TITLE : OFF ↓
LIGHT CONTROL : AVE ↓
AGC : ON ↓
SHUTTER SPEED : 1/100 ↓
SENS UP : OFF ↓
EXPOSURE MODE : ON ↓
WHITE BALANCE : ATW ↓
SUB MENU : 2 ↓
END

2 AM

5 km

5 km

3 KM

10 km





Eagle Vision EV3000
Dual Camera System
Thermal and
Color EMCCD

PAN/TILT THERMAL & COLOR CAMERAS

SYSTEM CONTROL

The tracker software is designed to be controlled via any of the following inputs:

- An off-the-shelf joystick controller
- TCP/IP – 100/10 mbs
- RS232/RS422
- PC Keyboard



Long Range Day Night Camera

CCTV Surveillance Systems





Eagle Vision EV3000
EMCCD Camera System

Pan/Tilt EMCCD Color and Starlight Cameras

- All Weather Stainless Steel Rugged Housing
Anti-corrosion, Anti Rust, resist high humidity and salt water.
Special Reflective paint to reduce heat by 15 degree.
- 128 preset positions for perimeter scanning, Panorama & Tour functions.
- Pelco-D protocols , can be integrated with any other CCTV system.
- Environmentally sealed and dry nitrogen filled
- Automatic-iris camera system with Backlight compensation to produce an optimum camera picture under a wide variation in light level
- The EV3000-S EMCCD colour night vision camera provides high resolution full colour images from full Sunlight down to quarter Moonlight, and thereafter monochrome images down to Starlight.



Day/Night Camera

- 1/2" High-Resolution EMCCD
- 0.0009 lx (color) / 0.000008 lx (B&W)
- Lens 50X,60X, and 100X **optical** zoom
- Reproduces full colour, full motion images in starlight conditions

Pan/Tilt resolution

High performance, brushless, maintenance-free step motors provide very precise, extremely effective motion control with preset and 0-360 degree Pan.

CCTV software with TCP/IP

- Full control of Thermal / Day-Night / Pan/Tilt
- Using standard Protocol Pelco-D

Sensor Platform

- Heavy Duty, Stabilized Pan/Tilt
- Stainless Steel Enclosure,

This product can be used in any marine applications, harsh environment. Anti-rust full sealed housing/ and Pan-Tilt. Great for shore, sea ports or ship due to its material Stainless Steel against corrosion.

Options

- * Digital real time video stabilization
- * Washer 5 or 10 ltr

PAN 0-360 Endless
Tour functions
Panorama functions



Special Reflective paint to reduce heat by 15 degree.



Main Specifications

Imaging device	1/2-inch interline EM-CCD
Total pixels	680(H) x 500(V)
Effective pixels	658(H) x 489(V)
Imaging area	6.58(H) x 4.89(V) mm
Pixel pitch	10.0(H) x 10.0(V) μm (Square pixel)
Scanning system	2 : 1 Interlace
Scanning frequency	Horizontal 15.734 kHz Vertical 59.94 Hz
Synchronization	Internal
Video output	
VBS output	Video 0.7 Vp-p Plus terminal nature
Sync	0.3 Vp-p Negative polarity
Burst	0.3 Vp-p, More than 8 cycles
Impedance	75 Ω Un-balancing.
Signal-processing system	Digital processing (Input 10 bit)
Signal to noise ratio (S/N)	50 dB or more (luminosity signal, Gamma OFF, minimum gain, without detail boost)
Resolution	Horizontal: 480 lines Vertical: 350 lines (In the central part)
Minimum photographic subject illumination	0.009 lx (Color in full motion, maximum sensitivity setup, F1.4, 50 IRE) 0.0005 lx (Monochrome in full motion, maximum sensitivity setup, F1.4, 50 IRE) 0.00015 lx (Color 64 time accumulation, maximum sensitivity setup, F1.4, 50 IRE) 0.000008 lx (Monochrome 64 time accumulation, maximum sensitivity setup, F1.4, 50 IRE)
Sensitivity (Gain) setup	Auto or a manual (factory set-AUTO)
Electronic shutter	Shutter: 7 steps /AES (factory set-OFF) OFF(1/60), 1/100, 1/125, 1/250, 1/500, 1/1000, 1/2000 sec
Accumulation magnification setup	Auto or a fixed change is possible. (factory set-OFF) 2, 4, 6, 8, 10, 16, 32, 64 times
Backlight compensation	An ON/OFF change is possible (factory set-OFF) Light-measurement area: Nine area to selection is possible.
The output for auto iris lenses	(Square shape 4 pin, JEITA conformity) A galvanometer system/video signal
White balance control	From the following three modes to selection (factory set-ATW) ATW: The mode which follows automatically AWC: The mode which holds a white balance after an automatic setup MANUAL: They are red and the mode which carries out blue gain adjustment and unites a white with manual operation
Camera title character display	A display is possible to 22 characters in an alphanumeric character and a sign A setup to either of two upper and lower sides of a screen is possible in the position of a character.
B/W Mode	OFF: The mode of fixation on a color image On: In high sensitivity monochrome image mode AUTO: With luminous intensity OFF of high sensitivity monochrome image, the mode where ON changes automatically In addition, it changes, as for luminous intensity from 3 stages of the HI, the MID and the LOW selective possibility
Picture quality adjustment menu	Following to the menu indication of the picture, various picture quality adjustments and mode selection are possible
DNR	Change of AUTO / MANU (8 steps) (factory set-AUTO)

Video encoder	
Video compression	MPEG-4 Part 2 (ISO/IEC 14496-2) Motion JPEG
Resolutions	160x120 to 704x576
Frame rate MPEG-4	Up to 30/25 (NTSC/PAL) fps at 2CIF, 21/17 fps at 4CIF
Frame rate Motion JPEG	Up to 30/25 (NTSC/PAL) fps at 4CIF
Video streaming	Simultaneous MPEG-4 and Motion JPEG Controllable frame rate and bandwidth VBR/CBR MPEG-4
Image settings	Compression, color, rotation, aspect ratio correction, mirroring Text and image overlay Privacy mask De-interlace filter
Pan/Tilt/Zoom	Wide range of analog PTZ cameras supported (drivers available for download at www.axis.com) 20 presets/camera Guard tour PTZ control queue Supports Windows compatible joysticks
Network	
Security	Password protection, IP address filtering, HTTPS encryption, IEEE 802.1X network access control, digest authentication, user access log
Supported protocols	IPv4/v6, HTTP, HTTPS, QoS layer 3 DiffServ, FTP, SMTP, Bonjour, UPnP, SNMPv1/v2c/v3(MIB-II), DNS, DynDNS, NTP, RTSP, RTP, TCP, UDP, IGMP, RTCP, ICMP, DHCP, ARP, SOCKS

Pan / Tilt		
Pan	angle	0-360 (Endless)
	speed	0.1° ~ 60°/sec
Tilt	angle	-60° ~ +30°
	speed	0.1° ~ 30°/sec
Electric Power	240W	
Input Power	AC100~240V Free Voltage	
Temperature	-25 ~ +60 ° C	

IR Day-Night Motorized Zoom Lenses

Lenses:	EV3000-S-500			EV3000-S-750			EV3000-S-1000		
Field of View	23° 42'	17° 74'	(WIDE)	28° 43'	21° 44'	(WIDE)	43° 6'	35° 5'	(WIDE)
	0° 74'	0° 55'	(TELE)	14° 35'	10° 58'	(WIDE 2X)	22° 6'	18° 2'	(WIDE 2X)
				0° 29'	0° 22'	(TELE)	0° 46'	0° 37'	(TELE)
				0° 15'	0° 11'	(TELE 2X)	0° 23'	0° 18'	(TELE 2X)
	Optical: 50X 10-500/10-1000mm			Optical: 60X 12.5-750mm-25-1500mm			Optical: 100X 10-1000mm/20-2000mm		



Eagle Vision EV3000
Dual Camera System
Thermal and
Color CCD

PAN/TILT THERMAL & COLOR CAMERAS

HARDWARE SPECIFICATIONS

computer with Linux Fedora Core 2 and a frame grabber board includes the following:

The 1U rack-mount chassis

- 2.8 Gigahertz INTEL Pentium CPU
- 533 Megahertz front side bus
- 40 gigabyte hard drive
- 512 megabytes of RAM
- 32 bit PCI Frame Grabber with 4 NTSC inputs
- NTSC and VGA output.
- RS232 serial port
- Four USB 2.0 ports
- Length 16.8" width 14.6" height 1.75"
- Shipping Weight 18 lbs
- 110-220 VAC , 180 watts



PERFORMANCE SPECIFICATION

Target to boresight update rate	30Hz
Target to boresight update latency (depends on algorithm)	Between 5 and 14ms
Minimum target contrast	5%
Minimum Target Size.	2x2 pixels
Maximum Target Size	450x350 pixels

SYSTEM CONTROL

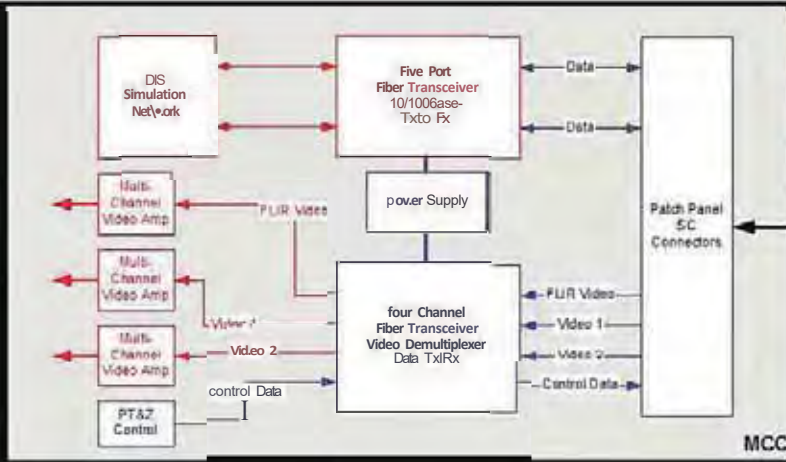
The tracker software is designed to be controlled via any of the following inputs:

- An off-the-shelf joystick controller
- TCP/IP – 100/10 mbs
- RS232/RS422
- PC Keyboard



United Vision Solutions
A world without darkness

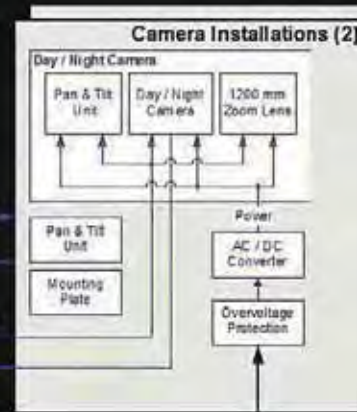
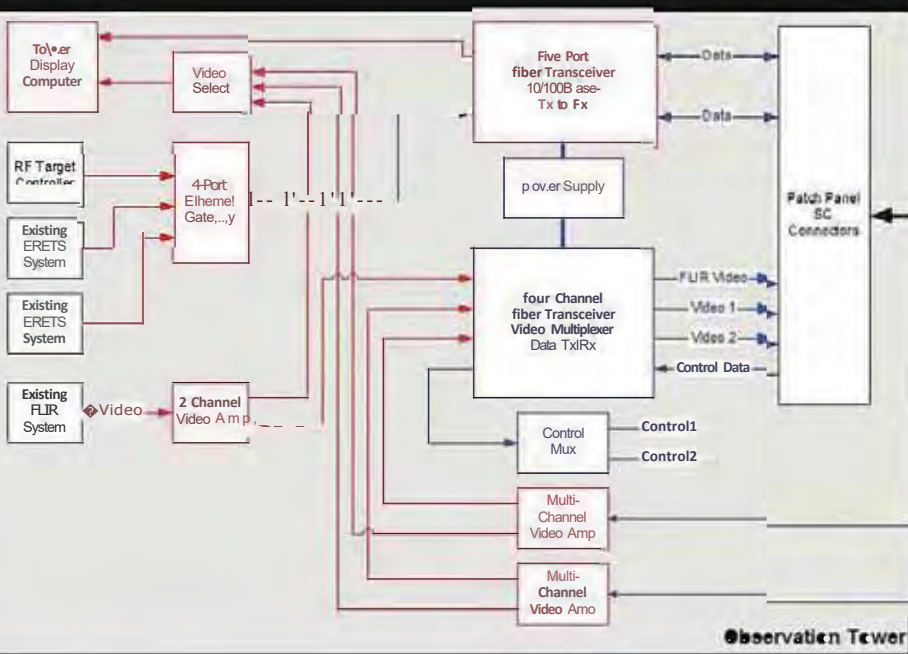
WWW.LongRangeCamera.com
10 Center St., Suite 401 & 402
Chicopee MA 01013 USA
info@unitedvisionsolutions.com



United Vision Solution, LLC
www.longrangecamera.com

USAirforce Long range Camera system.

*Using Fiber Optics for communication and
 Integrated with FUR Thermal Camera System*



Observation Tower





Copyright© United vision solutions, 2007



United Vision Company Profile

Mexican Navy Long Range Surveillance System

In December 2007, we were asked by Mexican military through local company to deploy a surveillance system that could have the potential to perform surveillance in Mexican ports for long range targets in low light conditions, the required system shall be able to obtain a clear image of targets located within a radius of 10 to 15 km, in addition to long range it was required system can handle harsh environment as it will be installed near ocean, where corrosion is an issue.

The accepted system was based on the technology supplied by United Vision Solutions to install both the camera & the lens within a high grade stainless steel vandalism resistant Pan-Tilt & Zoom (PTZ) unit for marine use manufactured by United Vision, which allows end-user not only to control the Pan/Tilt/Zoom/Focus of the camera but also all the functionality of both the camera & the lens either in operation control room or inside main control room.

The first Long Range Surveillance System was successfully installed in May 2008. The last 3 systems were installed between November 2008 & January 2009. These systems are installed and fully operational today by Mexican Navy personal in 4 separate geographic locations in Mexico, two systems are in different ports in the Pacific coast and other two monitoring ports in the Atlantic coast.

Each system is controlled locally using computer via TCP/IP, in addition to control camera the computer is working as DVR for 30 days, an CCTV software installed in each operation control room allows only authorized hosts to view & control the system, and then each system is linked via a digital connection (fiber-optics) to central headquarters in Mexico City, where images received are displayed in a central control room, and authorized end users can control any of the systems & record the images obtained for further analysis.

This solution had two additional challenges: first, in the last 3 installations the systems had to be installed in facilities where the existing buildings did not have the necessary height to obtain a satisfactory surveillance of the ports; and second, in the proposed locations where a future system would be installed there were no TCP/IP connectivity.

The height challenge was solved by the construction of 2 stainless steel towers in the chosen location in 2 sites, at the top of which the full systems were installed and the 3rd installation the system was installed at the top of a water tank that had both the height & surface needed to support it. Actual heights of stainless steel towers are 35 and 35 meters (114 & 147 feet).

We provided a special mounting to reduce vibration effect when tele-zooming and system is very stable even operate during high wind weather, in addition to special mounting we are using Video stabilizer to illuminate vibration effects.

For the site where fiber optics was not available, we used TCP/IP wireless links to connect the Long Range Surveillance Systems to nearest fiber-optics point, In the last installation the distance between the System & nearest fiber-optics location where 24 km LOS.

UVSS

Customers

EST. 2000



U.S ARMY CORPS OF ENGINEERS



EGYPTIAN AIR FORCE



U.S AIR FORCE



INDIAN AIR FORCE



U.S COAST GUARD



CANADIAN ROYAL POLICE



U.S CENTRAL COMMAND



BROWNSVILLE TX PORT



NASA



NANTUCKET MA PORT



MEXICAN NAVY



SAUDI ARAMCO OIL



FINNISH NAVY



PEMEX OIL



EGYPTIAN NAVY



Contact Us

EST. 2000

Office:

**10 Center Street #401, 402
Chicopee MA, 01013**

Telephone Inquiry/Sales:

**+1 (413) 592-8477 US & Canada
+1 (413) 591-8477 International**

Email:

info@ev3000.com

www.ev3000.com



© United Vision Security Systems - All content protected

United Vision Security Systems

A world without darkness...